

Nimbus NG < 100W



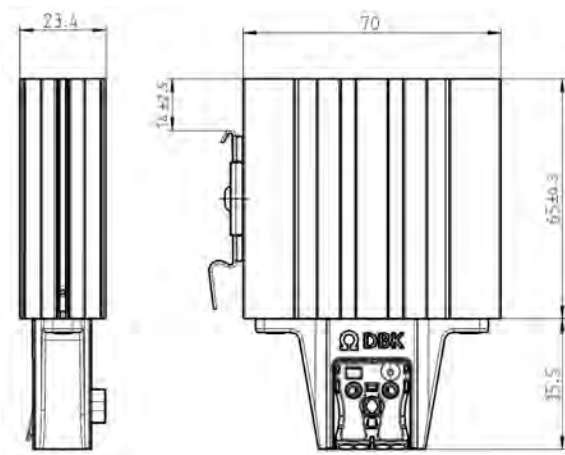
Features

- Lightweight and compact
- High power density
- Optional finger guard
- Anodized aluminum extrusion
- Highly effective with low material usage

DBK's knowledge of thermal management gives us the experience to guide and support you with your technical challenges - we can manage the complete project from concept to full production release.

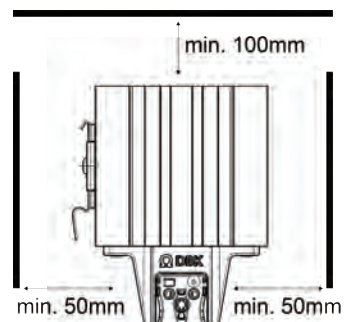
Nimbus NG		20	30	50	75
Power output at 10° C	[W]	20	30	50	75
Power output at -25° C	[W]	25	40	60	95
Voltage range	[V]	100 - 240 AC/DC			
Inrush current at 115V	[A]	1,3	1,3	1,3	2,5
Inrush current at 230V	[A]	2,7	2,7	2,7	5,5
Protection class		II			
Degree of protection		IP20			
Connection		Terminal block			
Fastening		Clip for 35mm DIN rail EN 50 022			
Dimensions	LxWxH [mm]	100,5x70x23,4			
Weight total	[kg]	approx. 0.15			
Touch protection available		Yes			
Recommended fuse	115V [A]	4,0	4,0	4,0	4,0
(time-delay)	230V [A]	6,0	6,0	6,0	6,0

Design Drawing



Installation instructions:

The heater must only be mounted into a housing with inner dimensions of min. 600x300x200mm.



Matching Accessories:



- Thermostats (FGT100, FGT200)
- Dualstat (FGDT Series)

In preparation:

